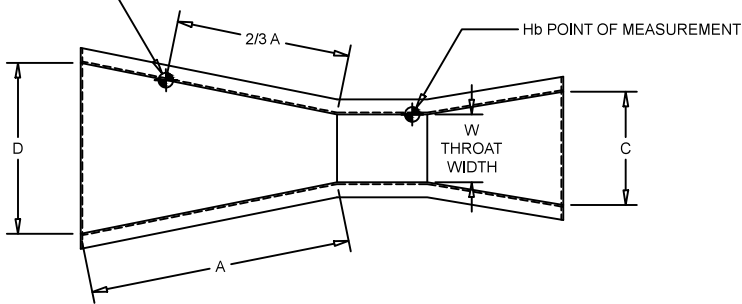


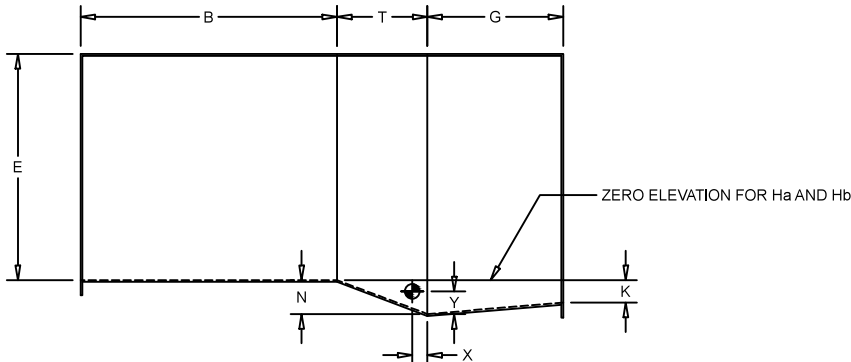
A B C D E F G H

Ha POINT OF MEASUREMENT

FLOW →



PLAN VIEW



ELEVATION VIEW



D 1941

**IEI**  
Sales & Support  
(435) 755-0774  
www.inmtn.com

W (SIZE)	A	2/3 A	B	C	D	E	T	G	K	N	X	Y
1" [2.54 CM]	1'-2 9/32" [36.27 CM]	9 17/32" [24.21 CM]	1'-2" [35.56 CM]	3 21/32" [9.29 CM]	6 19/32" [16.75 CM]	9" [22.86 CM]	3" [7.62 CM]	8" [20.32 CM]	3/4" [1.91 CM]	1 1/8" [2.86 CM]	5/16" [0.79 CM]	1/2" [1.27 CM]
2" [5.08 CM]	1'-4 5/16" [41.43 CM]	10 7/8" [27.62 CM]	1'-4" [40.64 CM]	5 5/16" [13.49 CM]	8 13/32" [21.35 CM]	10" [25.4 CM]	4 1/2" [11.43 CM]	10" [25.4 CM]	10" [25.4 CM]	7/8" [2.22 CM]	1 11/16" [4.29 CM]	5/8" [1.59 CM]
3" [7.62 CM]	1'-6 3/8" [46.67 CM]	1'-0 1/4" [31.12 CM]	1'-6" [45.72 CM]	7" [17.78 CM]	10 3/16" [47.23 CM]	1'-6" [45.72 CM]	6" [15.24 CM]	1" [30.48 CM]	1" [2.54 CM]	2 1/4" [5.72 CM]	1" [2.54 CM]	1 1/2" [3.81 CM]
4" [10.16 CM]	1'-8 1/2" [53.34 CM]	1'-2 1/2" [38.13 CM]	1'-8" [46.35 CM]	8" [20.32 CM]	12 1/2" [31.75 CM]	1'-8" [45.72 CM]	8" [20.32 CM]	2" [50.8 CM]	2" [5.08 CM]	3 1/2" [8.89 CM]	2" [5.08 CM]	2" [5.08 CM]
6" [15.24 CM]	2'-0 7/16" [62.07 CM]	1'-4 5/16" [41.44 CM]	2" [60.96 CM]	1'-3 1/2" [38.74 CM]	1'-3 5/8" [39.69 CM]	2" [60.96 CM]	1" [30.48 CM]	2" [60.96 CM]	3" [7.62 CM]	4 1/2" [11.43 CM]	2" [5.08 CM]	3" [7.62 CM]
8" [20.32 CM]	2'-2 1/2" [68.58 CM]	1'-6 1/8" [48.27 CM]	2'-10" [86.36 CM]	1'-3" [38.1 CM]	1'-10 5/8" [57.47 CM]	2'-6" [76.2 CM]	1" [30.48 CM]	1'-6" [45.72 CM]	3" [7.62 CM]	4 1/2" [11.43 CM]	2" [5.08 CM]	3" [7.62 CM]
12" [30.48 CM]	3'-0" [91.44 CM]	2'-0" [60.96 CM]	3'-0" [91.44 CM]	2" [60.96 CM]	2'-9 1/4" [84.46 CM]	3" [91.44 CM]	2" [60.96 CM]	3" [91.44 CM]	3" [7.62 CM]	9" [22.86 CM]	2" [5.08 CM]	3" [7.62 CM]
18" [45.72 CM]	4'-0" [121.92 CM]	3'-0" [91.44 CM]	4'-7 7/8" [141.9 CM]	2'-6" [76.2 CM]	3'-4 3/8" [102.6 CM]	3" [91.44 CM]	2" [60.96 CM]	3" [91.44 CM]	3" [7.62 CM]	9" [22.86 CM]	2" [5.08 CM]	3" [7.62 CM]
24" [60.96 CM]	5'-0" [152.4 CM]	3'-4" [101.6 CM]	4'-10 7/8" [149.5 CM]	3" [91.44 CM]	3'-11 1/2" [120.7 CM]	3" [91.44 CM]	2" [60.96 CM]	3" [91.44 CM]	3" [7.62 CM]	9" [22.86 CM]	2" [5.08 CM]	3" [7.62 CM]
36" [91.44 CM]	7'-0" [213.4 CM]	5'-0" [152.4 CM]	6'-0" [182.9 CM]	4" [121.9 CM]	5'-4 3/4" [164.5 CM]	3" [91.44 CM]	2" [60.96 CM]	3" [91.44 CM]	3" [7.62 CM]	9" [22.86 CM]	2" [5.08 CM]	3" [7.62 CM]
48" [121.92 CM]	9'-0" [274.32 CM]	6'-0" [182.9 CM]	8'-0" [243.8 CM]	5" [152.4 CM]	6'-4 1/4" [193.7 CM]	3" [91.44 CM]	2" [60.96 CM]	3" [91.44 CM]	3" [7.62 CM]	9" [22.86 CM]	2" [5.08 CM]	3" [7.62 CM]
60" [152.4 CM]	11'-0" [335.3 CM]	8'-0" [243.8 CM]	10'-0" [304.8 CM]	6" [152.4 CM]	7'-6 5/8" [230.2 CM]	3" [91.44 CM]	2" [60.96 CM]	3" [91.44 CM]	3" [7.62 CM]	9" [22.86 CM]	2" [5.08 CM]	3" [7.62 CM]
72" [182.9 CM]	13'-0" [396.24 CM]	9'-0" [274.32 CM]	12'-0" [363.8 CM]	7" [213.4 CM]	8'-9" [266.7 CM]	3" [91.44 CM]	2" [60.96 CM]	3" [91.44 CM]	3" [7.62 CM]	9" [22.86 CM]	2" [5.08 CM]	3" [7.62 CM]
84" [213.4 CM]	15'-0" [457.2 CM]	10'-0" [304.8 CM]	14'-0" [427.0 CM]	8" [203.2 CM]	9'-11 3/8" [303.2 CM]	3" [91.44 CM]	2" [60.96 CM]	3" [91.44 CM]	3" [7.62 CM]	9" [22.86 CM]	2" [5.08 CM]	3" [7.62 CM]
96" [243.8 CM]	17'-0" [518.16 CM]	11'-0" [335.3 CM]	16'-0" [487.7 CM]	9" [228.6 CM]	11'-1 3/4" [339.7 CM]	3" [91.44 CM]	2" [60.96 CM]	3" [91.44 CM]	3" [7.62 CM]	9" [22.86 CM]	2" [5.08 CM]	3" [7.62 CM]
120" [304.8 CM]	21'-0" [640.1 CM]	14'-0" [427.0 CM]	20'-0" [609.6 CM]	12" [304.8 CM]	15'-7 1/4" [475.6 CM]	4" [121.9 CM]	3" [91.44 CM]	6" [182.9 CM]	6" [15.24 CM]	1'-1 1/2" [34.29 CM]	1" [30.48 CM]	9" [22.86 CM]
144" [365.8 CM]	25'-0" [762.0 CM]	16'-0" [487.7 CM]	24'-0" [731.5 CM]	14" [447.0 CM]	18'-4 3/4" [560.7 CM]	5" [152.4 CM]	3" [91.44 CM]	8" [243.8 CM]	6" [15.24 CM]	1'-1 1/2" [34.29 CM]	1" [30.48 CM]	9" [22.86 CM]

1	REV	REVISION DESCRIPTION	BY	DATE	<p>NOTES:</p> <p>1) FLOW IS FROM LEFT TO RIGHT</p> <p>2) 30" [76.2 CM] AND 42" [106.7 CM] SIZES ARE NOT ASTM / ISO STANDARD AND ARE NOT PROVIDED</p> <p>3) 1-INCH [2.54 CM] AND 2-INCH [5.08 CM] SIZES SHOULD NOT BE USED ON SANITARY FLOWS</p> <p>This drawing and the data contained within is the sole, confidential property of OPENCHANNELFLOW (OCF) and may not be copied, reproduced, disclosed to others, in whole or in part, without the prior written consent of OCF. OCF reserves the right to change any dimension on this drawing at will and without notice. This drawing is provided in confidence with the understanding it shall be returned to OCF upon demand.</p>	<p>OPENCHANNELFLOW BOISE   ATLANTA</p>	
						DWG NO.	PARSHALL FLUME MASTER
<p>PARSHALL FLUME MASTER DIMENSIONS</p>						<p>Unless otherwise indicated, dimensions are in feet and inches, with centimeters indicated in [ ]. Angles are in degrees.</p>	

A B C D E F G H